



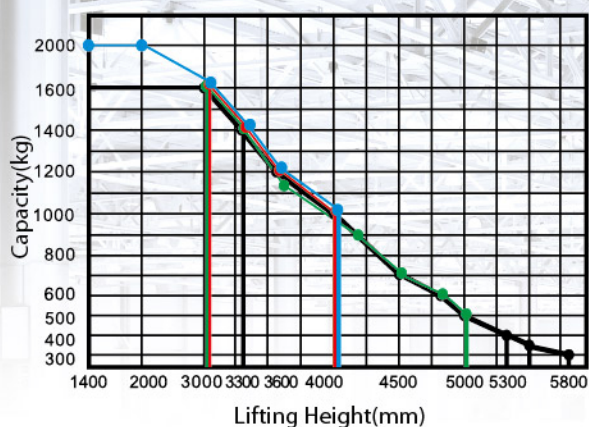
TOP1 FORKLIFT MANUFACTURER AND SALER IN CHINA FOR CONSECUTIVE 25 YEARS

# CDD16/20

## Forkover Electric Stacker

Lifting Height: 1400-5800mm

### Load Curve



- CDD20-D930
- CDD16-D930
- CDD16-950
- CDD16-350



### Advantages

#### Configuration and Performance

- Electronic power steering system, light and low noise.
- Two-way magnetic valve, three drop speed mode.
- Drive unit floating bodies with patent design.
- AC Driving system, No carbon brush, free maintenance.
- USA CURTIS driving controller.
- Electromagnetic, regenerative braking system.
- Automatic lifting limit, proximity switch, long life.

#### Safety

- Curve automatic deceleration devices, more safe.
- Vehicle decelerates automatically at higher position.
- Stepless speed control system, safe and quiet.
- Controller with Multiple automatic protection.
- Emergency reversing device/Emergency brake switch.
- High position automatic reduction device.

AC | EPS

Down mode at 3 speeds

Steering automatic deceleration

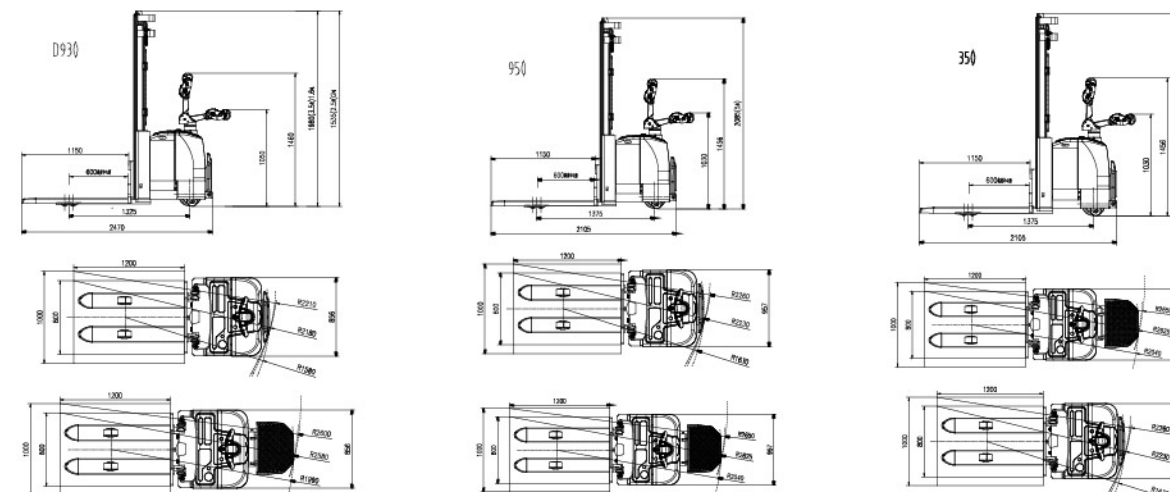
Truck automatically decelerates while at higher lifting position

| Type       | Lift height (mm)                   | Mast type         | Outside width between legs (mm) | Inside width between legs (mm) |
|------------|------------------------------------|-------------------|---------------------------------|--------------------------------|
| CDD16-D930 | 1400/2000/2500/3000/3300/3600/4000 | Standard 2-STAGE  | 550/600/650/685                 | 180/230/280/315                |
| CDD16-950  | 3700/3900/4200/4500/4700/5000      | FULL FREE 3-STAGE |                                 |                                |
| CDD16-350  | 5300/5500/5800                     | FULL FREE 3-STAGE |                                 |                                |
| CDD20-D930 | 1400/2000/2500/3000/3300/3600/4000 | Standard 2-STAGE  |                                 |                                |

1. CDD20 Series, Lift height ≤ 2000mm, Load capacity is 2000kg.
2. CDD20 Series, Outside width between forks ≤ 650mm

| Feature  |      | CDD16                              | CDD20                              | CDD16                         | CDD16             |
|--|------|------------------------------------|------------------------------------|-------------------------------|-------------------|
| Model  |      | D930                               | D930                               | 950                           | 350               |
| Configuration No.  |      | D930                               | D930                               | 950                           | 350               |
| Type   |      | Narrow legs                        | Narrow legs                        | Narrow legs                   | Narrow legs       |
| Mast type  |      | Standard 2-Stage                   | Standard 2-Stage                   | Full free 3-Stage             | Full free 3-Stage |
| Load capacity  | kg   | 1600                               | 2000                               | 1600                          | 1600              |
| Load center  | mm   | 600                                | 600                                | 600                           | 600               |
| Wheel base   | mm   | 1325                               | 1325                               | 1375                          | 1375              |
| Operating type   |      | Walkie/Stand On                    |                                    |                               |                   |
| <b>Wheels</b>  |      |                                    |                                    |                               |                   |
| Wheels type  |      | PU                                 | PU                                 | PU                            | PU                |
| Wheel quantity Driving wheel/Balance wheel/Bearing wheel |      | 1/2/4                              | 1/2/4                              | 1/2/4                         | 1/2/4             |
| <b>Dimension</b>   |      |                                    |                                    |                               |                   |
| Standard lift height                                     | mm   | 1400/2000/2500/3000/3300/3600/4000 | 1400/2000/2500/3000/3300/3600/4000 | 3700/3900/4200/4500/4700/5000 | 5300/5500/5800    |
| Lowered fork height                                      | mm   | 86                                 | 86                                 | 85                            | 85                |
| Fork size(length/width/thickness)                        | mm   | 1150(1220)/185/55                  | 1150(1220)/185/55                  | 1150(1220)/185/55             | 1150(1220)/185/55 |
| Overall length   | mm   | 2050/2470                          | 2050/2470                          | 2105/2525                     | 2105/2525         |
| Overall width  | mm   | 856                                | 856                                | 957                           | 957               |
| Max. extend height                                       | mm   | 1900/2500/3000/3500/3800/4100/4500 | 1900/2500/3000/3500/3800/4100/4500 | 4200/4400/4700/5000/5200/5500 | 5800/6000/6300    |
| Mast lowered height                                      | mm   | 1185/1535/1765/1980/2135/2335/2500 | 1185/1535/1765/1980/2135/2335/2500 | 1800/1900/1985/2085/2135/2235 | 2520/2590/2690    |
| Min. Turning radius                                      | mm   | 1580/1990                          | 1580/1990                          | 1630/2040                     | 1630/2040         |
| Min. Aisle width for pallets 800×1200                    | mm   | 2180/2580                          | 2180/2580                          | 2230/2625                     | 2230/2625         |
| Min. Aisle width for pallets 1000×1200                   | mm   | 2210/2600                          | 2210/2600                          | 2260/2650                     | 2260/2650         |
| Min. ground clearance                                    | mm   | 30                                 | 30                                 | 30                            | 30                |
| <b>Performance</b>                                       |      |                                    |                                    |                               |                   |
| Travel speed, laden/unladen                              | km/h | 5/5                                | 4/4.5                              | 5/5                           | 5/5               |
| Lift speed, laden/unladen                                | mm/s | 130/180                            | 90/170                             | 130/180                       | 130/180           |
| Lowering speed, laden/unladen                            | mm/s | 100/230                            | 80/170                             | 100/160                       | 100/160           |
| Gradeability, laden/unladen                              | %    | 5/7                                | 5/7                                | 5/7                           | 5/7               |
| <b>Electrical configuration</b>                          |      |                                    |                                    |                               |                   |
| Drive motor/Lift motor/Steering motor                    | kW   | AC1.5/DC3/DC0.15                   | AC1.5/DC3/DC0.15                   | AC1.5/DC3/DC0.15              | AC1.5/DC3/DC0.15  |
| Battery voltage  | V    | 24                                 | 24                                 | 24                            | 24                |
| Battery capacity   | Ah   | 280                                | 280                                | 280                           | 280               |
| Brake  |      | Electromagnetic/Regenerative       |                                    |                               |                   |
| Controller   |      | CURTIS                             |                                    |                               |                   |
| <b>Weight</b>  |      |                                    |                                    |                               |                   |
| Battery weight   | kg   | 250                                | 250                                | 250                           | 250               |
| Service weight with battery                              | kg   | 1240                               | 1240                               | 1578                          | 1610              |

\* Details of specifications and equipment are based on information available at time of printing and may change without notice.



**ANHUI HELI CO., LTD.**

ADD: NO.668 Fangxing Street, Economical Development Zone, Hefei, P.R.China  
 TEL: (86 551)63639068, 63639258, 63639358, 63662105, 63639530  
 FAX: (86 551)63639966  
 WEBSITE: <http://www.helichina.net>  
 Email: [heli@helichina.net](mailto:heli@helichina.net)

AUTHORIZED DEALER